

AMERICAN CART & RACK

MANUFACTURED BY GRANITE INDUSTRIES

2020 CATALOG

AMERICANCARTANDRACK.COM

HEAVY
DUTY
COMES
STANDARD

MANUFACTURED BY **GRANITE INDUSTRIES**

PH: 877-447-2648 | GRANITEIND.COM | ARCHBOLD, OH

TABLE OF CONTENTS

Table of Contents

Special Events	Aluminum Hand Carts	3
	Multi Mover	4
	E-Strap	4
	Multi Mover XT.....	5
	Mega Hauler.....	6
	Monster Mover.....	7
	Mantis & Chair Pallets.....	8-9
	Chiavari Chair Carts	10
	Chair Carts	11
	Platform Carts.....	12
Construction & Industrial	X-Country Wagon	13
	Fork Hand Trucks	14
	Hand Truck.....	15
	Trailer Dolly.....	15
	Appliance Carts.....	16
Racking & Storage	Aluminum Appliance Carts	17
	Drywall Carts	18-19
	Glass / Dish Storage Carts & Dollies.....	20
	Milk Crate Storage Carts	21
	Warehouse Storage Racks.....	22-23
	Steel Stud Storage Rack.....	24
	Tent Stake Storage Racks	25
	Hose Storage Racks.....	26-27
Overland Power Carts.....	28	

How will it ship?

We have taken the time to list how each cart typically ships. This means if you order one cart, the shipping method will likely be what is listed. If you order multiple products, shipping methods may vary.

If you have questions about shipping, or need additional assistance, such as lift gate service, please contact our customer service department M-F, 8am to 5pm, EST. at 877-447-2648

Do I have to assemble my cart?

Fully assembled:

You don't have to do a thing other than unbox your cart.

Minimal assembly required:

At most, you'll have to attach the wheels and/or casters to your cart.

Some assembly required:

You may be required to attach the wheels and/or casters, and one or two other components, like a rear wheel assembly.

Need a reason to choose American Cart? We'll give you 10.

- Made in the USA**
Engineered, manufactured and shipped under one roof in Archbold, Ohio.
- Heavy Duty**
Standard on all of our products. We build our carts to outwork and outlast others.
- Flat Free Wheels**
10 inch closed-cell tires that will never go flat.
- 3/4" Solid Steel Axles**
Industry leading axle diameter for maximum strength.
- Powder Coated**
Protects the steel and provides a lasting finish.
- Three Year Limited Warranty**
We stand behind our products.
- Ready to Ship**
Most carts are in stock and ready to go.
- American Sourced Steel & Aluminum**
Built from American made metals.
- Easy to Operate**
Designed with customer input to make your job easier.
- D-Brackets**
One piece design holds the axle in place and supports the load.

3 Year Limited Warranty

Carts, excluding any finishes, casters and wheels are warranted for three (3) years from date of original purchase.

Casters and wheels are warranted for 90 days from date of original purchase.

We will repair, without charge, any defect due to faulty material or workmanship. These warranties do not cover failures due to abuse, misuse, improper installation, accidental damage or when repairs or modifications have been made or attempted to be made by anyone other than Granite Industries.

Any defective products that meet warranty specifications and Granite Industries approval, may be returned to the factory to be repaired or replaced free of charge. (Granite Industries will pay to ship replacement item(s) to the customer; however the customer is responsible for shipment of products to the factory).

This remedy is the sole remedy in contract, tort or otherwise, and Granite Industries is not liable for incidental, consequential or special damages.

These warranties give you specific legal rights, and you may have other rights which vary from state to state. Should you have any questions, contact Granite Industries (Proof of purchase may be required)

Manufactured by:

Granite Industries

595 East Lugbill Rd., Archbold, OH 43502

Phone: 877-447-2648 Fax: 419-445-4733

Email: support@graniteind.com

ALUMINUM HAND CARTS



67392

ALUMINUM HAND TRUCK

Item No. 67392

Features

- 3/4" solid steel axle
- 10" flat free wheels with high capacity plastic hubs
- D-brackets on axle add more stability and strength
- Powder coated steel handle, two height positions
- 1/3 lighter than our standard hand truck

Dimensions: **W:** 20" **D:** 20" **H:** 52" or 58"

Foot Plate: **W:** 18" **D:** 9"

Weight: 28 lb **Capacity:** 600 lb

Typically Ships: UPS, some assembly required

For more aluminum carts, see page 17.

ALUMINUM CONVERTIBLE HAND TRUCK

Item No. 67393

Features

- Same features as our aluminum hand truck (67392)
- Converts from a hand truck to a platform cart
- 5" swivel casters with brakes

Hand Truck: **W:** 20" **D:** 20" **H:** 52"

Platform Cart: **W:** 20" **D:** 44" **H:** 39"

Foot Plate: **W:** 18" **D:** 9"

Weight: 44 lb **Capacity:** 600 lb

Typically Ships: UPS, some assembly required



67424

ALUMINUM 4 WHEELED HAND TRUCK

Item No. 67424

Features

- Dual 3/4" solid steel axles
- 10" flat free wheels with high capacity plastic hubs
- Fixed rear wheels
- Powder coated steel handle
- Integrated 2" x 10' auto retracting strap

Dimensions:* **W:** 24" **D:** 57" **H:** 41"

Foot Plate: **W:** 24" **D:** 9"

Weight: 50 lb **Capacity:†** 800 lb

Typically Ships: UPS, some assembly required

*Measurements taken on 4 wheels
 †Capacity rated when on 4 wheels



67393

MULTI MOVER



67243-75



67243-75

MULTI MOVER WITH REAR WHEELS

Item No. 67243-75

Features

- Dual 3/4" solid steel axles
- 10" flat free wheels with steel hubs
- Rear wheels fold up for storage
- Four E-Track ratchet strap mounts
- Folding foot plate

Dimensions:* W: 24" **D:** 51" **H:** 36"

Folding Plate: W: 23" **D:** 17"

Foot Plate: W: 18" **D:** 6"

Weight: 84 lb **Capacity:†** 800 lb

Typically Ships: UPS; some assembly required

*Measurements taken on 4 wheels with folding foot plate open
 †Capacity rated when on 4 wheels



New on our Multi Mover and Multi Mover XT. We flattened the ends of the fold down foot plate for easier load pick up.

E-Track Ratchet Strap Item No. PI-11-0212

Features

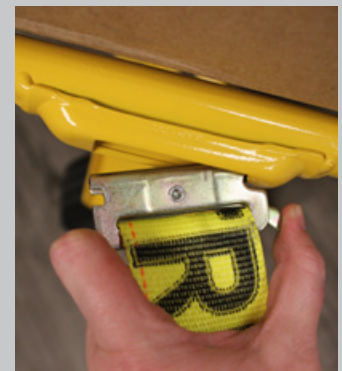
- 12' long
- Works on all carts with E-Track ratchet strap mounts
- Made in the USA

Dimensions: W: 2" **L:** 12'

Weight: 2 lb **Break Limit :** 1,200 lb

Break Strength: 4,400 lbs **Load Limit:** 1,467 lb

Typically Ships: UPS; fully assembled





67245-75



67245-75

MULTI MOVER XT WITH REAR WHEELS

Item No. 67245-75

Features

- 3/4" solid steel axle
- 10" flat free wheels with steel hubs, rear wheels swivel
- Rear wheels fold down for storage
- Welded one piece steel frame
- Four E-Track ratchet strap mounts (Ratchet straps on pg 4)
- Folding foot plate

Dimensions:* **W:** 30" **D:** 70" **H:** 38"

Folding Plate: **W:** 27" **D:** 31"

Foot Plate: **W:** 18" **D:** 8"

Weight: 134 lb **Capacity:†** 1,200 lb

Typically Ships: Freight; some assembly required

*Measurements taken on 4 wheels with folding foot plate open

†Capacity rated when on 6 wheels



67245-75

67243-75

Multi Mover with rear wheels, shown next to a Multi Mover XT with rear wheels (sold on pg 5) for size comparison.

Looking for more power? Check out Overland Power Carts, our full line of electric powered carts including the Multi Mover XT.
OverlandCarts.com

Features

- Folding Foot Plate: 27"W x 31"D
- Electric drive system with forward and reverse
- 12 amp hr rechargeable battery pack
- Offboard charger with battery management system
- 13" turf drive tires
- 10" flat free rear swivel wheels
- Twist throttle with battery indicator lights
- 750 lb capacity
- 62"H x 28"W x 45"D



70001

Electric Powered Multi Mover XT

MEGA HAULER



MEGA HAULER WITH REAR WHEELS

MEGA HAULER SLIM WITH REAR WHEELS

Item No. 67265

Item No. 67274

Features

- Dual 3/4" solid steel axles
- 16" pneumatic front wheels for rough or loose terrain
- 10" flat free rear wheels fold up for storage
- Welded one piece steel frame
- Four E-Track ratchet strap mounts (Ratchet straps on pg 4)

Features

- Same as 67265, but with a narrower frame

Dimensions:*	W: 35"	D: 69"	H: 42"
Foot Plate:	W: 24"	D: 12"	
Weight:	146 lb	Capacity:†	1,200 lb

Dimensions:*	W: 25"	D: 70"	H: 40"
Foot Plate:	W: 24"	D: 12"	
Weight:	126 lb	Capacity:†	1,200 lb

Typically Ships: Freight, fully assembled

Typically Ships: Freight, fully assembled

*Measurements taken on 4 wheels
†Capacity rated when on 4 wheels

*Measurements taken on 4 wheels
†Capacity rated when on 4 wheels

15" FLAT FREE TIRE OPTION

Mega Hauler with Flat Free Tires - 67325

Mega Hauler Slim with Flat Free Tires - 67407

Features

- Upgrade either Mega Hauler with flat free front wheels
- Capacity: 1,200 lb



15" flat free tire option shown on left compared to standard 16" pneumatic tire.



Shown paired with the trailer dolly (67022-75). See pg 15 for Trailer Dolly.





67070

MONSTER MOVER

Item No. 67070

Features

- 3/4" solid steel axle
- 16" pneumatic front wheels for rough or loose terrain
- 10" flat free rear swivel wheels with steel hubs
- Welded one piece steel frame
- Four E-Track ratchet strap mounts (Ratchet straps on pg 4)
- Folding, adjustable foot plate

Dimensions:* **W:** 49" **D:** 70" **H:** 38"

Foot Plate: **W:** 30" **D:** 34"

Weight: 156 lb **Capacity:†** 1,500 lb

Typically Ships: Freight; fully assembled

*Measurements taken on 4 wheels with folding foot plate open

†Capacity rated when on 4 wheels



67070



67070

MANTIS & CHAIR PALLETS



67092-75



Chair Pallet with Handle (67483) also available.

67485

MANTIS

Item No. 67092-75

Features

- Dual 3/4" solid steel axles
- 10" flat free wheels with steel hubs
- Full length welded steel frame
- Aluminum fenders keep loads in place and off wheels
- Two position fenders (inside width: 19" or 21")
- 7/8" diameter solid steel forks

Dimensions:* **W:** 29" **D:** 74" **H:** 39"

Forks: **L:** 34" Spaced 14-3/4" apart

Weight: 94 lb

Capacity: 50 chairs **Capacity:†** 800 lb

Typically Ships: UPS; some assembly required

*Measurements taken on 4 wheels

†Capacity rated when on 4 wheels



New looped handle design for easier use and more durability.

MANTIS CHAIR PALLET

Item No. 67485 (Replaces Item No. 67221)

Features

- Designed specifically for the Mantis
- 3" casters: 2 swivel, 2 fixed
- Mantis forks slide into built in guides
- Four E-Track ratchet strap slots (Ratchet straps on pg 4)
- For use with polyfold and fan back chairs

Dimensions: **W:** 18" **D:** 39" **H:** 6"

Weight: 20 lb **Capacity:** 500 lb

Typically Ships: UPS; minimal assembly required



Securely holds polyfold style chairs.



Openings at the end of the pallet accommodate the longer fan back style chairs as well.



MANTIS & CHAIR PALLETS



The newly redesigned mantis has adjustable fenders and ergonomic looped handles. They can be moved into the narrow position to accommodate the (L to R) Chair Pallet with Handle (67483) Mantis Chair Pallet (67485). Adjust the fenders to the wide position and use it with our Double Dish Dolly (67366).

The fenders of the Mantis shown in the wide and narrow positions.



The Mantis Chair Pallet holds up to 50 polyfold folding chairs and comes ready to use with our E-Track ratchet system.

Transport glasses and dishes with the Mantis and our Double Dish Dolly (67366). For more information on the dollies see page 20.

CHIAVARI CHAIR CARTS



67164-75



67286

CHIAVARI / X-BACK CHAIR CART

Item No. 67164-75

Features

- 10" flat free wheels with plastic hubs
- Bar folds up and cart can be used as a standard hand truck
- Reversible chair bar for use with X-back chairs
- Holds a stack of 5 chiavari or X-back chairs

Dimensions: **W:** 21" **D:** 28" **H:** 50"

Chiavari Bar: **W:** 10" **D:** 17" **H:** 16"

Foot Plate **W:** 12 **D:** 8"

Weight: 41 lb **Capacity:** 500 lb

Typically Ships: UPS; minimal assembly required

DUAL CHIAVARI CHAIR CART

Item No. 67286

Features

- 10" flat free wheels with plastic hubs
- Holds two stacks of 5 chiavari chairs
- 5" plastic swivel casters with brakes
- Fits through a 36" opening with two stacks of chairs

Dimensions*: **W:** 31" **D:** 41" **H:** 41"

Chiavari Bar: **W:** 10" **D:** 17" **H:** 16"

Weight: 54 lb **Capacity:** 500 lb

Typically Ships: UPS; assembly required

*Measurements taken on 4 wheels



67164-75



67286



67283

BANQUET / CHURCH CHAIR CART

Item No. 67283

Features

- 3/4" solid steel axle
- 10" flat free wheels with plastic hubs
- 5" plastic swivel casters with brakes
- Holds up to 10 stacking chairs

Dimensions:* **W:** 25" **D:** 53" **H:** 61"

Dimensions:** **W:** 25" **D:** 54" **H:** 50"

Weight: 53 lb **Capacity:** 500 lb

Typically Ships: Freight; assembly required

*Measurements taken on 3 wheels

**Measurements taken on 4 wheels



Compatible with a variety of stacking banquet and church chairs. Not all options are shown above.



Polyfold chair version (67480) also available.

67125-0505

CHAIR DOLLY WITH TALL REMOVABLE SIDES

Item No. 67125-0505

Features

- Holds 30 resin or wood folding chairs
- Removable end rails for easy storage
- Rails measure 15" wide outside to outside
- 3" plastic casters: 2 swivel, 2 fixed

Dimensions: **W:** 18" **D:** 36" **H:** 74"

Weight: 49 lb **Capacity:** 500 lb

Typically Ships: Freight; minimal assembly required



Holds up to 30 resin or wood folding chairs.

PLATFORM CARTS & TABLE CARTS



67308

40" X 40" PLATFORM CART

Item No. 67308

Features

- 5" plastic casters: 2 swivel, 2 fixed
- Removable handle

Dimensions: **W:** 40" **D:** 46" **H:** 36"

Weight: 80 lb **Capacity:** 660 lb

Typically Ships: Freight; minimal assembly required



67034

43" X 80" CARPETED PLATFORM CART

Item No. 67034

Features

- 5" plastic casters: 4 swivel, 2 fixed
- Removable handle

Dimensions: **W:** 43" **D:** 86" **H:** 36"

Weight: 145 lb **Capacity:** 990 lb

Typically Ships: Freight; minimal assembly required



67121

RECTANGLE TABLE CART

Item No. 67121

Features

- 5" casters: 2 swivel, 2 fixed
- Holds up to six 8' rectangle tables

Dimensions: **W:** 26" **D:** 75" **H:** 43"

Weight: 64 lb **Capacity:** 350 lb

Typically Ships: UPS; some assembly required.



67120

ROUND TABLE CART

Item No. 67120

Features

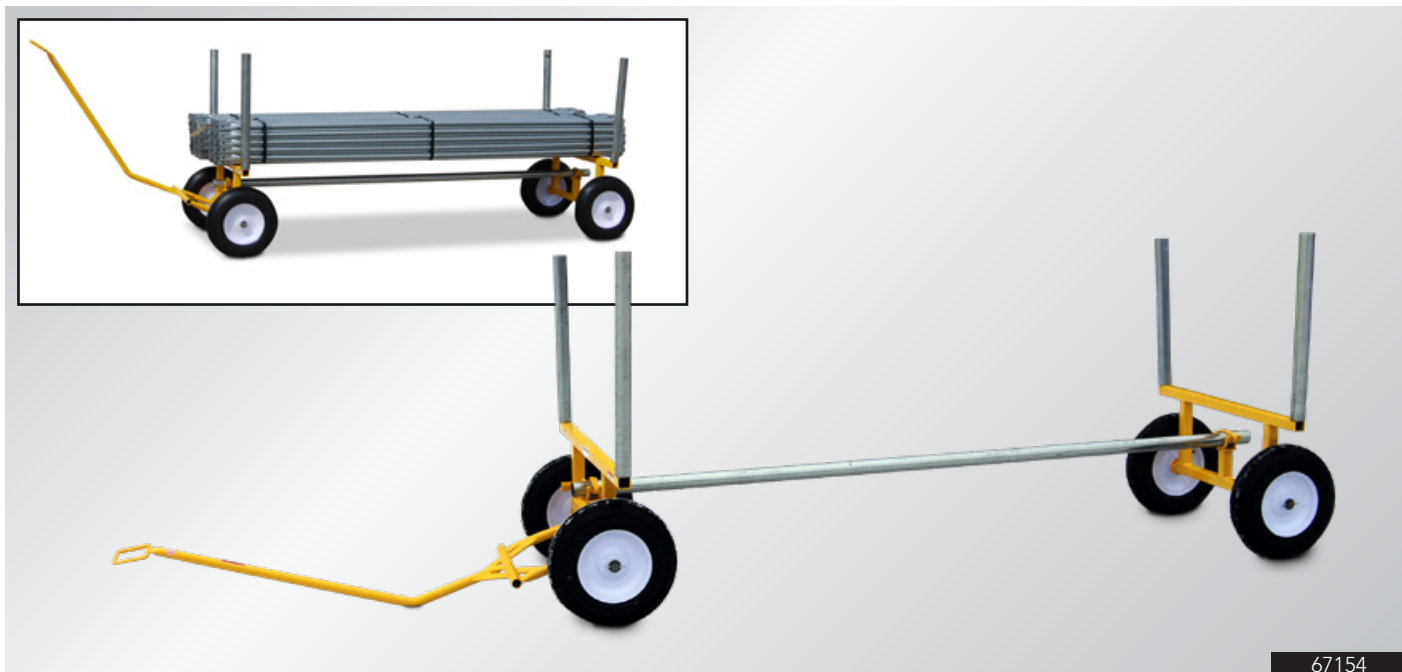
- 5" casters: 2 swivel, 2 fixed
- Holds up to five 5' round tables

Dimensions: **W:** 26" **D:** 55" **H:** 43"

Weight: 60 lb **Capacity:** 350 lb

Typically Ships: UPS; some assembly required.

X-COUNTRY WAGON



67154

X-COUNTRY WAGON

Item No. 67154

Features

- Includes 8' center pole (adjustable up to 7-1/2' long)
- Four 24" H vertical posts
- 16" flat free tires; 4" wide with steel hub

Dimensions: **W:** 34" **D:** Adj. **H:** 50"

Weight: 117 lb **Capacity:** 2,000 lb

Typically Ships: Freight; some assembly required.

TREE ADD-ON

Item No 67157

Features

- Two trees for more hauling options (cart not included)

Dimensions: **W:** 35" **D:** 1.5" **H:** 33"

Weight: 32 lb each **Capacity:*** 2,000 lb

Typically Ships: Freight, fully assembled

*2,000 evenly distributed across both trees

67157



67154

X-COUNTRY WAGON WITH WIDE TIRES

Item No 67326

Features

- Includes 8' center pole (adjustable up to 7-1/2' long)
- Four 24" H vertical posts
- 15" flat free tires, 6" wide with steel hub
- Cart weight: 135 lb
- Width 34"
- Capacity: 2000 lbs



67326



Left: Standard Tire
(On cart 67154)

Right: Wide Tire
(On cart 67326)

FORK HAND TRUCKS



67264-75



67294-75

FORK HAND TRUCK

Item No. 67264-75

Features

- 3/4" solid steel axle
- 10" flat free wheels with steel hubs
- D-brackets on axle add more stability and strength
- Adjustable solid steel forks; 6" to 19" wide

Dimensions: **W:** 22" **D:** 32" **H:** 50"

Forks: **W:** 3" **D:** 20"

Weight: 62 lb **Capacity:** 600 lb

Typically Ships: UPS; some assembly required

FORK HAND TRUCK WITH DUAL WHEELS

Item No. 67294-75

Features

- 3/4" solid steel axle
- Dual 10" flat free wheels with steel hubs
- D-brackets on axle add more stability and strength
- Adjustable solid steel forks; 6" to 19" wide

Dimensions: **W:** 30" **D:** 32" **H:** 50"

Forks: **W:** 3" **D:** 20"

Weight: 74 lb **Capacity:** 800 lb

Typically Ships: UPS; some assembly required

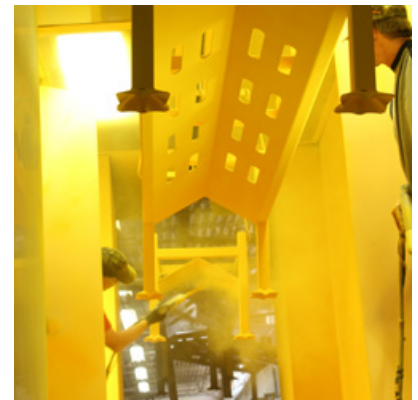


D-Brackets - One piece design holds the axle in place and supports the load.

3/4" solid steel axle - Industry leading axle diameter for maximum strength.



Flat-free tires - 10 inch closed-cell tires that will never go flat.



Powder Coated Finish - Protects the steel and provides a lasting finish. All of our products are coated in house to ensure consistent quality.

HAND TRUCK & TRAILER DOLLY



67069-75

HAND TRUCK

Item No. 67069-75

Features

- 3/4" solid steel axle
- 10" flat free wheels with steel hubs
- D-brackets on axle add more stability and strength
- Steel fenders protect loads from rubbing the wheels

Dimensions: **W:** 22" **D:** 20" **H:** 50"

Foot Plate: **W:** 14" **D:** 10"

Weight: 42 lb **Capacity:** 600 lb

Typically Ships: UPS; minimal assembly required



67279-75

TRAILER DOLLY WITH PLASTIC HUB WHEELS

Item No. 67279-75

Features

- 10" flat free wheels with plastic hubs and 3/4" axle
- Removable 2" ball
- Ball height has 6" adjustment
- Pintle hitch adapter included

Dimensions: **W:** 21" **D:** 40" **H:** 24"

Weight: 23 lb **Tongue Weight:** 500 lb

Typically Ships: UPS; some assembly required

TRAILER DOLLY WITH STEEL HUB WHEELS

Item No. 67022-75

Features

- 10" flat free wheels with steel hubs and 3/4" axle
- Removable 2" ball
- Ball height has 6" adjustment
- Pintle hitch adapter included

Dimensions: **W:** 21" **D:** 41" **H:** 24"

Weight: 28 lb **Tongue Weight:** 600 lb

Typically Ships: UPS, some assembly required



67022-75

APPLIANCE CARTS



67101-75

TITAN II

Item No. 67101-75

Features

- 3/4" solid steel axle
- 10" flat free wheels with steel hubs
- Integrated 13' tie strap
- Two E-Track ratchet strap mounts, comes with one 12' strap
- Dual steel stair-crawlers

Dimensions:	W: 26"	D: 16"	H: 61"
Foot Plate:	W: 26"	D: 5"	
Weight:	70 lb	Capacity:	600 lb
Typically Ships:	Freight, fully assembled		



67106-75

TITAN II WITH REAR WHEELS

Item No. 67106-75

Features

- 3/4" solid steel axle
- 10" flat free wheels with steel hubs
- Fold down wheels with 4" casters
- Integrated 13' tie strap
- Two E-Track ratchet strap mounts, comes with one 12' strap
- Dual steel stair-crawlers

Dimensions:	W: 26"	D: 48"	H: 49"
Foot Plate:	W: 26"	D: 5"	
Weight:	80 lb	Capacity:	600 lb
Typically Ships:	Freight, fully assembled		

*Measurements taken on 4 wheels

Just how much can it haul?

AVERAGE WEIGHTS FOR STANDARD APPLIANCES

Refrigerator (27 cubic feet)	390 lbs
Washer (front loading 5 cubic feet)	295 lbs
Freezer (20 cubic feet)	225 lbs
Hot water heater (50 gallons)	195 lbs
Dryer (8.3 cubic feet)	193 lbs
Wall Oven (5 cubic feet)	177 lbs
Dishwasher	139 lbs



67106-75

ALUMINUM APPLIANCE CARTS



ALUMINUM APPLIANCE CART

Item No. 67400

Features

- 3/4" solid steel axle
- 10" flat free wheels with high capacity plastic hubs
- Integrated 2" x 10' auto retracting strap
- Dual steel stair-crawlers

Dimensions:	W: 24"	D: 20"	H: 59"
Foot Plate:	W: 24"	D: 9"	
Weight:	44 lb	Capacity: 600 lb	
Typically Ships:	UPS, some assembly required		



ALUM. APPLIANCE CART W/ REAR WHEELS

Item No. 67445

Features

- Fold down rear wheels with 4" casters
- 10" flat free wheels with high capacity plastic hubs, 3/4" axle
- Dual integrated 2" x 10' auto retracting strap
- Dual steel stair-crawlers

Dimensions:*	W: 24"	D: 52"	H: 45"
Foot Plate:	W: 24"	D: 9"	
Weight:	60 lb	Capacity: 600 lb	
Typically Ships:	UPS, some assembly required		

*Measurements taken on 4 wheels

ALUMINUM DUAL WHEELED APPLIANCE CART W/ REAR WHEELS



Item No. 67416

Features

- 3/4" solid steel axle
- 10" flat free dual wheels with high capacity plastic hubs
- Dual integrated 2" x 10' auto retracting strap
- Fold down rear wheels with 4" casters
- Dual steel stair-crawlers

Dimensions:*	W: 28.5"	D: 52"	H: 45"
Foot Plate:	W: 24"	D: 9"	
Weight:	68 lb	Capacity:† 800 lb	
Typically Ships:	UPS, some assembly required		

*Measurements taken on 4 wheels †Capacity rated when on 4 wheels

DRYWALL CARTS



75121-01



75124-01

DWC-3 DRYWALL CART

Item No. 75121-01

Features

- 8" casters with plastic hub: 3 swivel, 1 locking
- Rounded bumper protects finished work
- Our most popular drywall cart

Dimensions: **W:** 50" **D:** 23" **H:** 48"

Platform: **W:** 43" **D:** 12"

Weight: 80 lb **Capacity:** 3,000 lb

Typically Ships: Freight; some assembly required.

DWC-4 DRYWALL CART

Item No. 75124-01

Features

- 8" casters with plastic hub: 3 swivel, 1 locking
- Rounded bumper protects finished work
- Design allows for use in tight spaces

Dimensions: **W:** 50" **D:** 25" **H:** 48"

Platform: **W:** 43" **D:** 12"

Weight: 83 lb **Capacity:** 3,000 lb

Typically Ships: Freight; some assembly required.



75121-01



75124-01



75132-01

LO-RIDER DRYWALL CART

Item No. 75132-01

Features

- 8" casters with plastic hub: 2 swivel, 2 fixed
- Removable posts store under cart
- Lower center of gravity for greater stability

Dimensions: **W:** 42.5" **D:** 29.75" **H:** 41"

Bed: **W:** 9" **Poles:** **L:** 39"

Weight: 72 lb **Capacity:** 3,000 lb

Typically Ships: Freight; minimal assembly required.



75132-01



75132-01



75116

I-CART

Item No. 75116

Features

- 8" casters with plastic hub: 3 swivel, 1 locking
- Removable posts store under cart
- Design allows for use in tight spaces

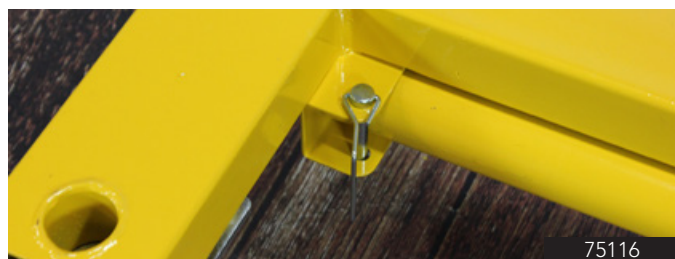
Dimensions: **W:** 51" **D:** 27" **H:** 46"

Weight: 66 lb **Capacity:** 3,000 lb

Typically Ships: UPS, some assembly required



75116



75116

GLASS / DISH TRAY STORAGE CART



67362

GLASS / DISH TRAY STORAGE CART

Item No. 67362

Features

- 5" non marking casters: 2 swivel with brakes, 2 fixed
- Twelve E-Track ratchet strap slots, comes with 2 straps
- Holds up to 32 square dish racks (20"W x 20"W x 4"H)

Dimensions: **W:** 43" **D:** 20.5" **H:** 74"

Interior: **W:** 40" **D:** 20"

Weight: 138 lb **Capacity:** 1,500 lb

Typically Ships: Freight; assembly required



67366

67162

DOUBLE GLASS / DISH TRAY DOLLY

Item No. 67366

Features

- 3" non marking casters: 2 swivel, 2 fixed
- Eight E-Track ratchet strap slots (Ratchet straps on pg 4)
- Designed to accommodate racks up to 20" x 20"

Dimensions: **W:** 40.25" **D:** 20.25" **H:** 6"

Interior: **W:** 40" **D:** 20"

Weight: 21 lb **Capacity:** 500 lb

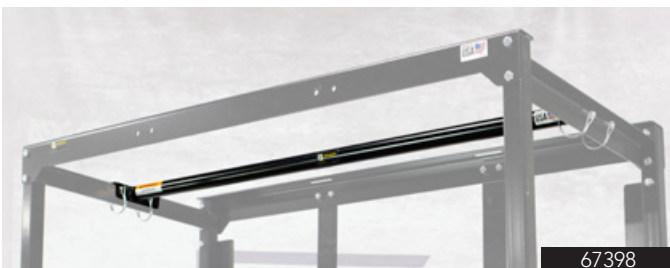
Typically Ships: UPS; minimal assembly required

LINEN BAR

Item No 67398

Features

- Powder coated steel
- The 67362 and accommodates up to two linen bars, one on the top support and one on the center support.



67398

SINGLE GLASS / DISH TRAY DOLLY

Item No. 67162

Features

- 3" non marking casters: 4 swivel
- Four E-Track ratchet strap slots (Ratchet straps on pg 4)
- Designed to accommodate racks up to 20" x 20"

Dimensions: **W:** 20.25" **D:** 20.25" **H:** 6"

Interior: **W:** 20" **D:** 20"

Weight: 16 lb **Capacity:** 500 lb

Typically Ships: UPS; minimal assembly required

MILK CRATE STORAGE CART

**NEW
ITEM!**



67428

67429

MILK CRATE STORAGE CART

Item No. 67428

Features

- 5" non marking casters: 2 swivel with brakes, 2 fixed
- Twelve E-Track ratchet strap slots, comes with 3 straps
- Holds up to 36 standard milk crates
- Holds up to 30 banded milk crates

Dimensions: **W:** 43" **D:** 27" **H:** 76"

Interior: **W:** 40" **D:** 26.5" **H:** 67"

Weight: 149 lb **Capacity:** 1,500 lb

Typically Ships: Freight; assembly required

OVERSIZED MILK CRATE STORAGE CART

Item No. 67429

Features

- 5" non marking casters: 2 swivel with brakes, 2 fixed
- Twelve E-Track ratchet strap slots, comes with 3 straps
- Holds up to 24 oversized milk crates

Dimensions: **W:** 48" **D:** 30" **H:** 76"

Interior: **W:** 45" **D:** 29.5" **H:** 67"

Weight: 163 lb **Capacity:** 1,500 lb

Typically Ships: Freight, assembly required



Standard Milk Crate:
13 L x 13 W x 11.1 H



Banded Milk Crate:
13 L x 13 W x 11.5 H



Oversized Milk Crate:
14.6" L x 14.6" W x 15.8" H

WAREHOUSE RACKS



67038



**NEW
ITEM!**

67482

WAREHOUSE RACK - 66" LEGS & 8" CASTERS

Item No. 67482

Features

- 8" casters: 2 swivel with brakes, 2 fixed
- Stack up to 3 high, do not exceed 3,000 lbs on casters
- Storage base (67137) is recommended whenever warehouse racks are stacked
- Eight E-Track ratchet strap mounts (Ratchet straps on pg 4)
- Removable legs for easy loading and unloading
- Holds up to 25 2" thick tables, 150 polyfold chairs, or 75 resin/wood folding chairs*

Dimensions: **W:** 63" **D:** 38" **H:** 73"

Inside: **W:** 56" **D:** 31" **H:** 60"

Weight: 185 lb **Capacity:** 3,000 lb

Typically Ships: Freight; minimal assembly required

*3 stacks of 24, plus 3 across the center

WAREHOUSE RACK - 66" LEGS & 5" CASTERS

Item No. 67038

Features

- 5" casters: 2 swivel with brakes, 2 fixed

Dimensions: **W:** 63" **D:** 38" **H:** 70"

Inside: **W:** 56" **D:** 31" **H:** 60"

Weight: 180 lb **Capacity:** 1,500 lb

Typically Ships: Freight; minimal assembly required



67482

67038

67137

Shown in use, stacked two high on warehouse rack storage base 67137 (see page 24 for storage base).



67136

WAREHOUSE RACK - 33" LEGS

Item No. 67136

Features

- 5" casters: 2 swivel with brakes, 2 fixed
- Stack up to 3 high, do not exceed 1,500 lbs on casters
- For increased storage capacity, use Storage Base (67137)
- Eight E-Track ratchet strap mounts (Ratchet straps on pg 4)
- Removable legs
- Holds up to 15 wooden tables, 75 polyfold chairs, or 35 resin/wood folding chairs

Dimensions: **W:** 63" **D:** 38" **H:** 37"

Inside **W:** 56" **D:** 31" **H:** 27"

Weight: 144 lb **Capacity:** 1,500 lb

Typically Ships: Freight; minimal assembly required



67136



67137

WAREHOUSE RACK STORAGE BASE

Item No. 67137

Features

- For use for long term storage
- Prevents unwanted movement
- Prolongs caster life
- Recommended whenever warehouse racks are stacked

Dimensions: **W:** 63" **D:** 38" **H:** 9"

Weight: 24 lb **Capacity:** 5,000 lb

Typically Ships: Freight; minimal assembly required



67038

67137

Warehouse Rack (67038) shown on Base (67137).

STEEL STUD STORAGE RACK



STEEL STUD STORAGE RACK

Item No. 67282

Features

- For use with steel studs
- Safely remove banding and maintain a clutter free jobsite
- 8" casters; 2 swivel, 2 fixed
- Two E-Track ratchet strap mounts (Ratchet straps on pg 4)
- Stack up to 3 high, do not exceed 3,000 lbs on casters
- Self storing removable poles
- Two pole positions: 31" or 26" inside widths

Dimensions: **W:** 60" **D:** 31" **H:** 61"

Weight: 188 lb **Capacity:** 3,000 lb

Typically Ships: Freight; minimal assembly required



Steel stud rack being used in a warehouse setting.

TENT STAKE STORAGE RACKS



59344

28" TENT STAKE STORAGE RACK

Item No. 59344

Features

- Stack up to 3 high
- Eight E-Track ratchet strap slots (Ratchet straps on pg 4)
- Holds approximately 100 tent stakes

Dimensions: **W:** 35" **D:** 23" **H:** 28"

Inside: **W:** 28" **D:** 16" **H:** 20"

Weight: 53 lb **Capacity:** 1,500 lb

Typically Ships: Freight; fully assembled



Shown with 40" L x 2" diameter head tent stakes.

59360

38" TENT STAKE STORAGE RACK

Item No. 59360

Features

- Stack up to 3 high
- Eight E-Track ratchet strap slots (Ratchet straps on pg 4)
- Holds approximately 150 tent stakes

Dimensions: **W:** 35" **D:** 23" **H:** 38"

Inside: **W:** 28" **D:** 16" **H:** 30"

Weight: 62 lb **Capacity:** 1,500 lb

Typically Ships: Freight; fully assembled

TENT STAKE STORAGE RACK ROLLING BASE

Item No 59356

Features

- 5" casters; 2 swivel with brakes, 2 fixed
- Do not exceed 1,500 lbs on casters

Dimensions: **W:** 35" **D:** 23" **H:** 11"

Weight: 46 lb **Capacity:** 1,500 lb

Typically Ships: Freight; some assembly required

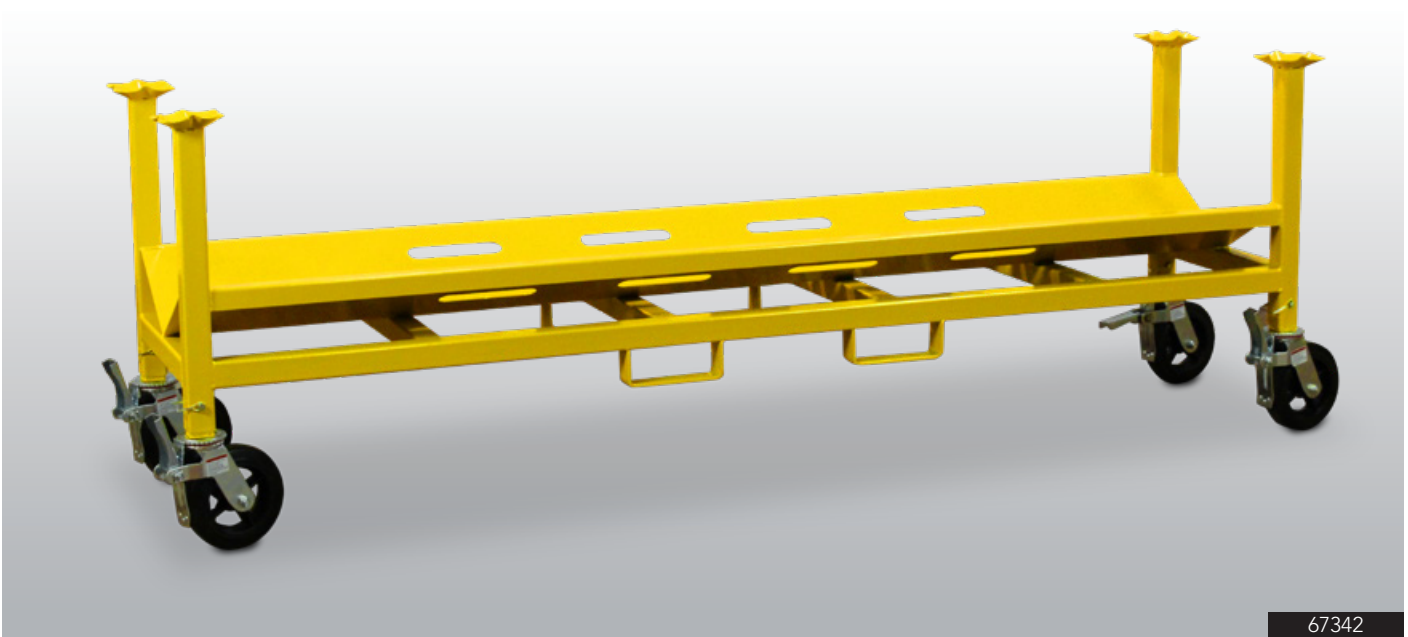


Both the 59344 (shown) and 59360 fit on a pallet jack.



59356

HOSE STORAGE RACK



67342

8' HOSE STORAGE RACK - 33" LEGS

Item No. 67342

Features

- Maintain an organized and clutter free workspace
- 8" casters: 4 swivel with brakes
- Stack up to 3 high, do not exceed 2,000 lbs on casters

Dimensions: **W:** 98" **D:** 25" **H:** 33"

Storage Area: **W:** 92" **D:** 18" **H:** 17"

Weight:* 220 lb **Capacity:** 2,000 lb

Typically Ships: Freight; minimal assembly required

*Weight taken with casters.



67342 (3 shown)

Hose racks (67342) shown in use, stacked 3 high.

8' HOSE STORAGE RACK - 39" LEGS (NOT PICTURED)

Item No. 67318

Features

- Same as 67342

Dimensions: **W:** 98" **D:** 25" **H:** 39"

Storage Area: **W:** 92" **D:** 18" **H:** 23"

Weight:* 225 lb **Capacity:** 2,000 lb

Typically Ships: Freight; minimal assembly required

*Weight taken with casters.

5' HOSE STORAGE RACK - 39" LEGS (NOT PICTURED)

Item No. 67368

Features

- Same as 67342

Dimensions: **W:** 62" **D:** 25" **H:** 39"

Storage Area: **W:** 56" **D:** 18" **H:** 23"

Weight:* 150 lb **Capacity:** 2,000 lb

Typically Ships: Freight; minimal assembly required

*Weight taken with casters.



8' FLAT HOSE STORAGE RACK - 33" LEGS

Item No. 67396

- 8" casters; 4 swivel with brakes
- Stack up to 3 high, do not exceed 2,000 lbs on casters

Dimensions:	W: 98"	D: 25"	H: 33"
Storage Area:	W: 92"	D: 18"	H: 17"
Weight:*	150 lb	Capacity:	2,000 lb

*Weight taken with casters.

8' FLAT HOSE STORAGE RACK - 39" LEGS

Item No. 67365

- 8" casters; 4 swivel with brakes
- Stack up to 3 high, do not exceed 2,000 lbs on casters

Dimensions:	W: 98"	D: 25"	H: 39"
Storage Area:	W: 92"	D: 18"	H: 23"
Weight:*	155 lb	Capacity:	2,000 lb

*Weight taken with casters.



5' FLAT HOSE STORAGE RACK - 39" LEGS

Item No. 67397

- 8" casters; 4 swivel with brakes
- Stack up to 3 high, do not exceed 2,000 lbs on casters

Dimensions:	W: 62"	D: 25"	H: 39"
Storage Area:	W: 56"	D: 18"	H: 23"
Weight:*	130 lb	Capacity:	2,000 lb

*Weight taken with casters.





ALUMINUM POWER FORK TRUCK

Item No. 70248

- Forks adjust from 6" wide to 18" wide (outside)
- Electric drive system with forward and reverse
- 12 amp rechargeable battery
- Offboard charger with battery management system
- Integrated auto retracting ratchet strap
- 13" Single Ag drive tires, 10" flat free rear wheels
- Twist throttle with battery indicator lights

Dimensions:	W: 26.5"	D: 58"	H: 36"
Forks:	W: 3"	D: 20"	
Weight:	160 lb	Capacity:	750 lb
Typically Ships:	Freight; fully assembled		



POWER MULTI MOVER XT

Item No. 70001

- Electric drive system with forward and reverse
- 12 amp-hr rechargeable battery pack
- Offboard charger with battery management system
- Two E-Track ratchet strap mounts
- 13" Turf drive tires, 10" flat free rear swivel wheels
- Twist throttle with battery indicator lights

Dimensions:	W: 30"	D: 32"	H: 50"
Folding Plate:	W: 27"	D: 31"	
Weight:	175 lb	Capacity:	750 lb
Typically Ships:	Freight; fully assembled		



POWER TRANSFORMER & ATTACHMENTS

- Comes with standard hand truck plate
- Multi Mover, Mantis and Fork Hand Truck attachments sold separately
- Electric drive system with forward and reverse
- 12 amp-hr rechargeable battery pack
- Onboard charger with battery management system
- 15" Turf drive tires
- 10" flat free rear swivel wheels
- Twist throttle with battery indicator lights

Item No	Dimensions	Weight	Capacity
70194	36"H x 28"W x 52"L	170 lb	750 lb
70196	28"H x 20"W x 24"L	39 lb	750 lb
70197	33"H x 28"W x 29"L	54 lb	750 lb
70198	48"H x 28"W x 66"L	47 lb	750 lb